

FLUX News

▶ June 2021

▶ www.flux.dk

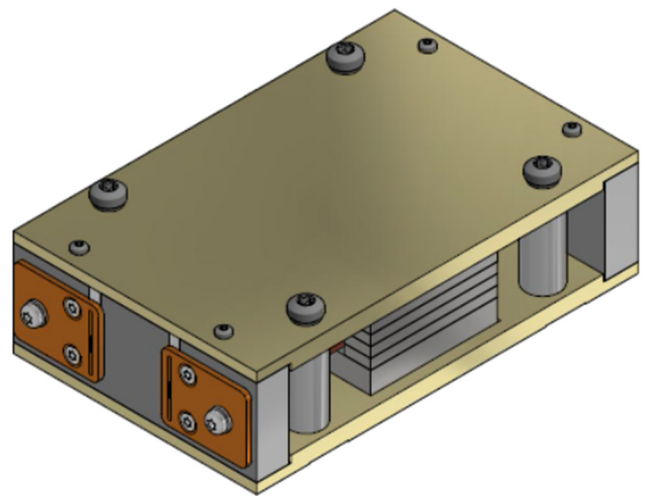
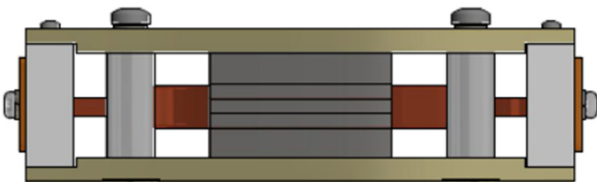
▶ ESCC3201/013 Issue 3

Resulting from a successfully completed GSTP contract and ESCC Qualification campaign, the ESCC Detail Specification ESCC3201/013 issue 3 has been released.

Under the GSTP contract Flux has developed a 5kW de-rated transformer and inductor as demonstrators for the output stage of Electrical Propulsion.

The transformer was subjected to a step stress test to prove suitability to operate at its full capability of 7.5kW and above.

The aim was to identify the weakest point of the construction. At 8.5kW the core temperature reached within 5°C of the cores Curie Point of 210°C, thus identified as the weakest point.



▶ Additional development

Under the same contract and ESCC Qualification campaign, Flux developed a series of High Power Low frequency SMD filter inductors with very high saturation levels.



Contact us via space@flux.dk for further information

▶ DCR 1412 updates

The ESCC2301/013 Detail Specification "Custom Magnetics (inductors, transformers) based on by Type FT" describes in general the ESCC Qualified custom magnetic parts manufactured by Flux.

The details of each design are defined in a product specific ESCC Magnetic Sheet.

Flux ESCC Domain updates are:

Maximum Power increased from 2.5kW to 5kW

Rated DC Current increased from 35A to 62A