

# FLUX News

► September 2020

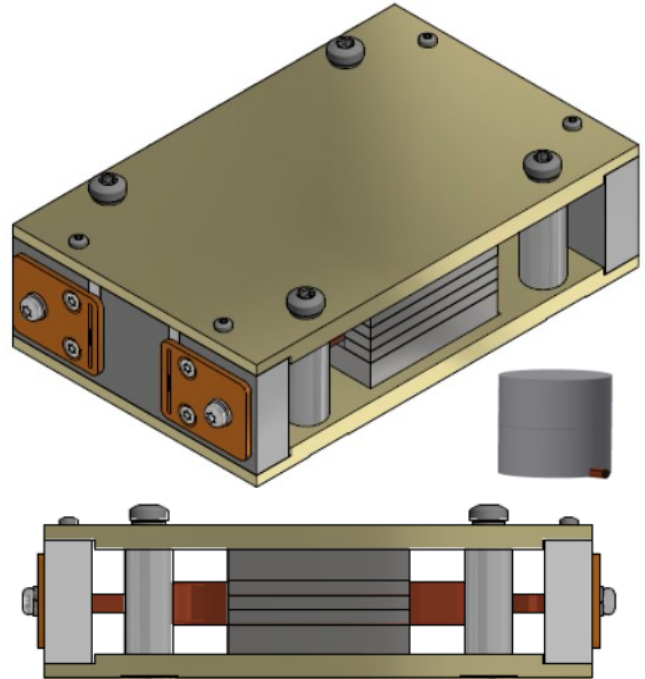
► [www.flux.dk](http://www.flux.dk)

## ► ESCC Qualification

While preparing the recently released Detail Specification ESCC3201/013, Flux developed several new products for Space application under ESA GSTP contract:

- High Power High Voltage 5kW planar transformer for Electrical Propulsion output stage.
- High Power High Voltage 5kW planar inductor for Electrical Propulsion output stage.
- High Current SMD inductor series in SMC material with very high saturation limit.

The initial series inductors comprise six models ranging from 2.3 $\mu$ H to 100 $\mu$ H / 18.37A to 4.19A dedicated to ESCC-Q-ST-30-11.



## ► ESCC Domain expansion

After Final Review by ESA, the new designs entered an ESCC Qualification Campaign, which is now successfully concluded and reported to ESA.

Based on the success of the ESCC Qualification Campaign, Flux will now apply for expansion of our ESCC Domain to include **SMC** core material and an **Epoxy** used for both potting and encapsulation.

Further we will increase the power level of our ESCC Domain from 2.5kW to **5kW** per unit.

A parallel ESCC Qualification campaign featuring **Litz wire** will be concluded shortly and thus Litz wire will be added to our ESCC DML.

For inquiries please contact: [space@flux.dk](mailto:space@flux.dk)

