

Current Sense Transformers

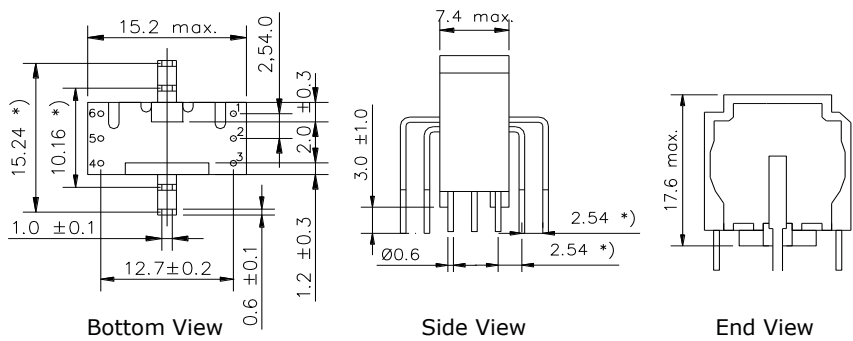
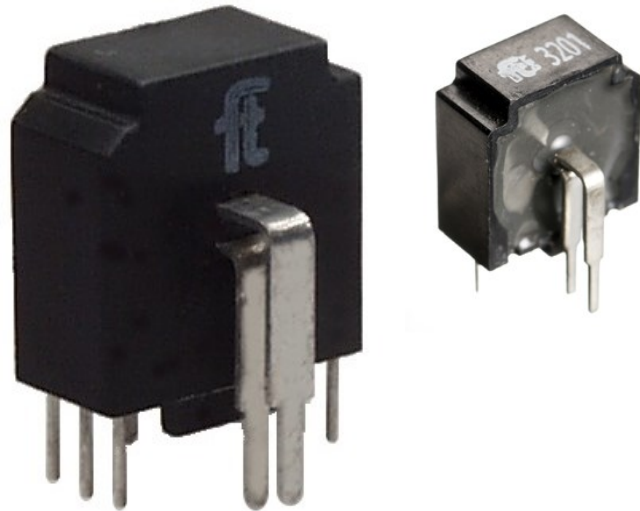
Series 3200

General applications

- Overload Limits
- Feedback control
- AC regulation
- Motor regulation
- Full bridge current control

Features

- 4.2 kV RMS HI-POT primary to secondary
- Frequency range up to 200 kHz
- Maximum primary current 2x20 A
- Encapsulated construction
- IEC 60950/61558
- UL approved materials
- Operating temperature -30 °C to 130 °C
- Dual integrated primaries for single operation placement
- Stick packaging
- Suitable for automated placement



Dimensions in mm. Tolerance unless otherwise stated ±0.5 mm. Nominal dimension without tolerances specified

Part Number	Pins Mounted	Schematic Figure	Primary-Secondary Turns Ratio	Secondary min. inductance at 1V & 10kHz [mH]	Primary Max. Resistance per wire [Ohm]	Secondary Max. resistance [Ohm]	Termination Resistance Nom. * Note1 [Ohm]	Primary Rating, Unipolar [A _{ps}]	Primary Rating, Bipolar [A _{ps}]
28003201	2, 5 Primary Integrated		1 : 1 : 50	5	0.005	0.75	50	75	150
28003202			1 : 1 : 100	20	0.005	1.40	100	150	300
28003203			1 : 1 : 200	80	0.005	4.50	200	300	600
28003204			1 : 1 : 300	180	0.005	11.0	300	450	900
28003211	1, 3, 5 Primary Integrated		1 : 1 : 50	5	0.005	0.75	50	75	150
28003212			1 : 1 : 100	20	0.005	1.40	100	150	300
28003213			1 : 1 : 200	80	0.005	4.50	200	300	600
28003214			1 : 1 : 300	180	0.005	11.0	300	450	900
28003216	1, 2, 3, 5 Primary Integrated		1 : 1 : 50 CT	5	0.005	0.75	50	75	150
28003217			1 : 1 : 100 CT	20	0.005	1.40	100	150	300
28003218			1 : 1 : 200 CT	80	0.005	4.50	200	300	600
28003219			1 : 1 : 300 CT	180	0.005	11.0	300	450	900
28003221	1, 3, 4, 6 Primary Integrated		1 : 1 : 50 : 50	5	0.005	1.20	50	75	150
28003222			1 : 1 : 100 : 100	20	0.005	2.90	100	150	300
28003223			1 : 1 : 150 : 150	45	0.005	6.00	150	225	450

*Note1: For 20V output at 20A prim. current
 CT = Center tap
 100 CT = 50+50 Turns
 Specifications measured at 25 °C
 Subject to change without notice